

Ice Slingers

North Star Ice Slingers mechanically throw ice through a four-inch diameter flexible hose at high velocity. They are used for icing hard to reach areas such as the hold of a boat, or the front end of a trailer rig, when pneumatic delivery is not available. Ice slingers are galvanized or manufactured in stainless steel and are available with 20, 25, or 30 horsepower motors. A North Star ice slinger moves ice at high velocity to use points.

Weights, Capacities and Dimensions

1. Weight of slinger without motor - 300 lbs. (136 kg.).

- With 20 HP 60 Hz motor - 625 lbs. (284 kg.).
- With 25 HP 60 Hz motor - 675 lbs. (306 kg.).
- With 30 HP 60 Hz motor - 750 lbs. (340 kg.).

2. Capacity of slinger:

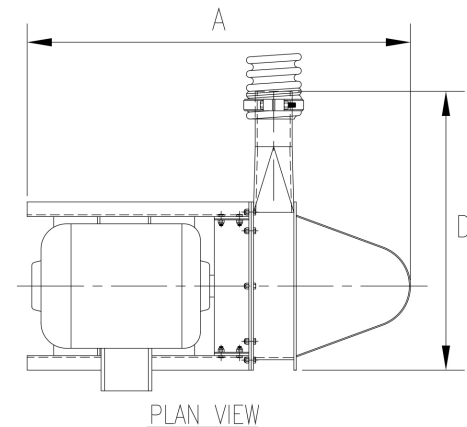
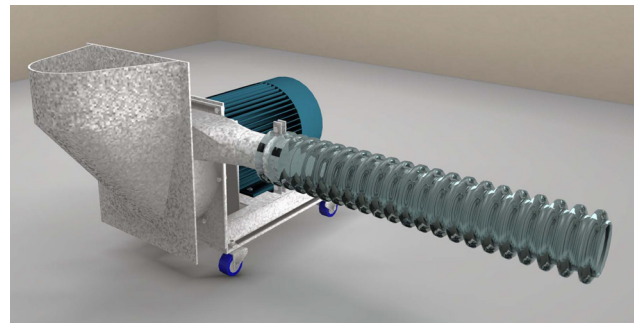
- 20 HP motor - 20 US tons per hour with maximum hose length of 15'-0" (18 metric tons per hour w/ max. hose length of 4.6 M)
- 25 HP motor - 25 US tons per hour with maximum hose length of 20'-0" (23 metric tons per hour w/ max. hose length of 6.1 M)
- 30 HP motor - 30 US tons per hour with maximum hose length of 25'-0" (27 metric tons per hour w/ max. hose length of 7.6 M)

3. Dimensions in brackets are metric equivalents in millimeters.

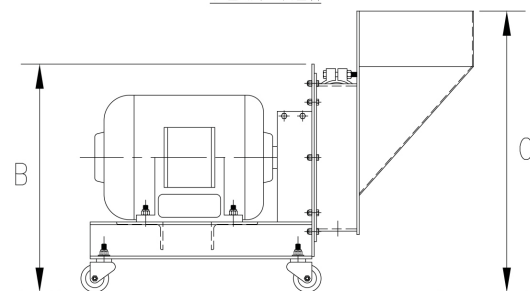
- A. 41 1/2" (1054)
- B. 24 3/4" (629)
- C. 30 1/2" (775)
- D. 30 1/4" (768)

Common Industries:

Fishing, Produce, Poultry, Snowmaking



PLAN VIEW



SIDE VIEW